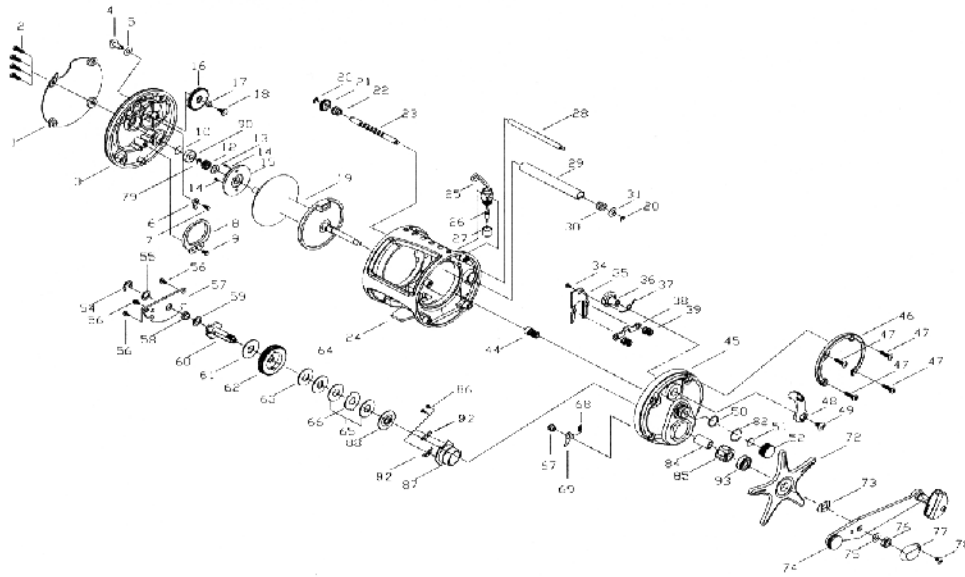


# FIREWOLF47Hi/57Hi

Please order by parts number, not key number  
Bitte, Best.-Nr. angeben (Nicht "Key"-Nr.)  
Veuillez indiquer le numero de la piece (Non "Key" No.)



**FW47Hi**  
**Key No.**

Key No.	Parts No.
1	6W6089020
2	6W6091010
3	6W6092010
4	6W6094010
5	6W6005010
6	6W6006010
7	6W6007010
8	6W6008010
9	6W6009010
10/51	6W6010010
11	6W6095010
12	6W6096010
13	6W6013020
14	6W6097010
15	6W6098010
16	6W6098010
17	6W6016010
18	6W6099010
19	6W6177010
20	6W6102010
21	6W6103010
22	6W6021010
23	6W6141010
24	6W6189010
25	6W6108010
26	6W629010
27	6W6030010
28	6W6110010
29	6W6111010
30	6W6021010
31	6W6143010
34	6W6164010
35	6W6113010
36	6W6040010
37	6W6041010
38	6W6114010
39	6W6043010
44	6W6116010
45	6W6191010
46	6W6146010
47	6W6147010
48	6W6167010
49	6W6055010
50	6W6095010
52	6W6124010
54	6W6061010
55	6W6034020

**Parts Name**

Parts Name	Parts No.
Left side outer plate	56
Left side plate screw	57
Left side plate	58
Click button	59
Click button washer	60
Click pawl	61
Screw (C)	62
Click spring	63
Screw (A)	64
Spacer (A)	65
Spool gear	66
Spool washer	67
Click gear screw	68
Click gear	69
Idle gear	70
Idle gear collar	71
Idle gear screw	72
Spool	73
Worm shaft retainer (A)	74
Worm shaft	75
Worm gear	76
Bushing (B)	77
Worm shaft	78
Frame assembly	79
Level wind	80
Line guide pawl	81
Pawl cap	82
Stabilizer bar	83
Level wind guard	84
Bushing (B)	85
Washer (A)	86
Yoke plate screw	87
Yoke plate	88
Clutch cam	89
Clutch spring	90
Yoke	91
Yoke spring	92
Pinion gear	93
Right side plate	56
Right side outer ring	57
Right side plate screw	58
Clutch lever	59
Clutch lever screw	60
O ring	61
Cast control cap	62
Drive shaft retainer	63
Washer (B)	64

**Special Parts for FW57Hi**

Key No.	Parts No.
1	6W6090020
3	6W6093010
19	6W6178010
23	6W6142010
24	6W6190010
25	6W6109010
29	6W6112010
45	6W6192010
46	6W6153010
48	6W6184010
57	6W6128010
74	6W6135010

Parts Name	Parts No.
Screw (A)	56
Hold plate	57
Drive shaft bush	58
Washer (C)	59
Drive shaft	60
Drive shaft washer	61
Drive gear	62
Drag washer (A)	63
Key washer (A)	64
Drag washer (B)	65
Eared washer	66
Anti-reverse pawl pin	67
Anti-reverse pawl spring	68
Anti-reverse pawl	69
Star drag	70
Spacing sleeve	71
Handle assembly	72
Washer (D)	73
Handle nut	74
Handle nut plate	75
Handle nut plate screw	76
Spool gear retainer	77
Bushing retainer	78
Collar	79
Handle metal	80
Handle metal plate screw	81
Handle metal cap	82
Key washer (B)	83
Ball bearing (A)	84
Handle metal plate	85
Ball bearing (B)	86

**FW47Hi**  
**Key No.**

Key No.	Parts No.
1	6W6089020
2	6W6091010
3	6W6092010
4	6W6094010
5	6W6005010
6	6W6006010
7	6W6007010
8	6W6008010
9	6W6009010
10/51	6W6010010
11	6W6095010
12	6W6096010
13	6W6096010
14	6W6013020
15	6W6097010
16	6W6098010
17	6W6016010
18	6W6099010
19	6W6177010
20	6W6102010
21	6W6103010
22	6W6021010
23	6W6141010
24	6W6189010
25	6W6108010
26	6W629010
27	6W6030010
28	6W6110010
29	6W6111010
30	6W6021010
31	6W6143010
34	6W6164010
35	6W6113010
36	6W6040010
37	6W6041010
38	6W6114010
39	6W6043010
44	6W6116010
45	6W6191010
46	6W6146010
47	6W6147010
48	6W6167010
49	6W6055010
50	6W6095010
52	6W6124010
54	6W6061010
55	6W6034020

**Designation des pieces**

Designation des pieces	Parts No.
Couronne gauche	56
Vis de flasque de gauche	57
Flasque gauche	58
Bouton de cliquet	59
Rondelle du bouton de cliquet	60
Cliquet	61
Vis (C)	62
Ressort de cliquet	63
Vis (A)	64
Rondelle de chapeau de réglage (A)	65
Engrenage de bobine	66
Rondelle de bobine	67
Vis de rochet bruiteur	68
Rochet bruiteur	69
Roue dentée	70
Collar de roue dentée	71
Vis de roue dentée	72
Bobine	73
Clips de vis double filet (A)	74
Roue de vis double filet	75
Palier (B)	76
Vis double filet (A)	77
Billet	78
Vis double filet (B)	79
Pilote de guide-fil	80
Chapeau de pilote	81
Entrotoises	82
Protecteur de vis double filet	83
Palier (B)	84
Rondelle (A)	85
Vis de plaque du rouz	86
Plaque du joug	87
Cam d'embrayage	88
Ressort de came	89
Joug de debayage	90
Ressort de Joug	91
Pignon	92
Flasque droit	93
Couronna droite	56
Vis de flasque droit	57
Lever d'embrayage	58
Vis-axe du lever d'embrayage	59
Annau torique	60
Chapeau de réglage de tension	61
Verrou d'arbre de commande	62
Rondelle (B)	63

**Special Parts for FW57Hi**

Key No.	Parts No.
1	6W6090020
3	6W6093010
19	6W6178010
23	6W6142010
24	6W6190010
25	6W6109010
29	6W6112010
45	6W6192010
46	6W6153010
48	6W6184010
57	6W6128010
74	6W6135010

**Parts Name**

Parts Name	Parts No.
Left side outer plate	56
Left side plate	57
Spool	58
Worm shaft	59
Frame assembly	60
Level wind	61
Level wind guard	62
Right side plate	63
Right side outer ring	64
Clutch lever	65
Hold plate	66
Handle assembly	67

**Designation des pieces**

Designation des pieces	Parts No.
Couronne gauche	56
Flasque gauche	57
Bobine	58
Vis double filet (A)	59
Billet	60
Vis double filet (B)	61
Protecteur de vis double filet	62
Flasque droit	63
Couronna droite	64
Lever d'embrayage	65
Verrou d'arbre de commande	66
Manivelle	67